

ASHTON
TOWNHOME COLLECTION





THE SOHO LIVING DIFFERENCE

SOHO Living is a contemporary residential home builder and property developer focused on building architecturally designed homes and townhomes that you will be proud to call your own. Our mission is to create communities and dynamic spaces where individuals can grow and thrive.

Thinking outside the box is what we do best, which is why our developments always result in stylish and versatile homes in neighbourhoods that are built to last. Regardless of your stage in life, there's a SOHO Living development that's right for you.

When you choose SOHO Living, you are assured a high standard of service that is unparalleled in the industry. We pride ourselves on the exceptional quality of our designs, builds and finishes that are guaranteed to exceed homebuyer expectations every time.

By investing in a SOHO Living home, you are investing in your best possible future. With a wide selection of townhomes and homes available, we can make your home ownership dreams a reality. Find out for yourself why SOHO Living are one of Australia's fastest growing builders and experience firsthand the SOHO Living difference.

ASHTON

TOWNHOME COLLECTION



Nestled in the foothills of the Dandenong Ranges there is an address that feels familiar, inviting, memorable and yet altogether new. Among the leafy streets and shaded gardens, a small-town ambience weaves its way past elegant new homes and open space.

Hillstowe blends village charm with modern style and convenience. Just 225 blocks make up this exclusive neighbourhood, and yet, the surrounding region is brimming with opportunities on a grand scale.

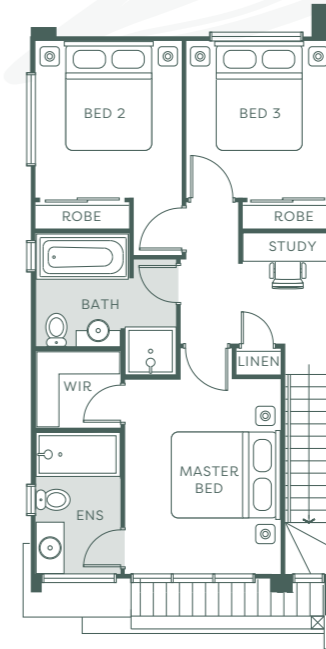
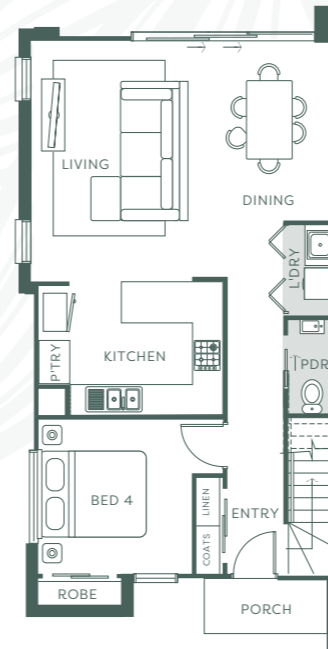
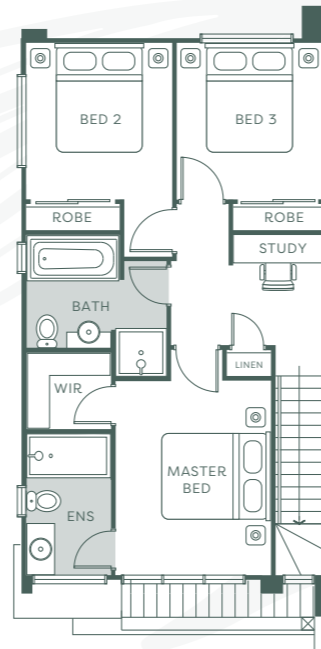
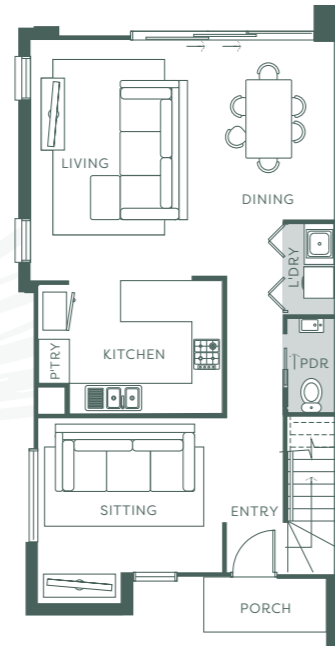
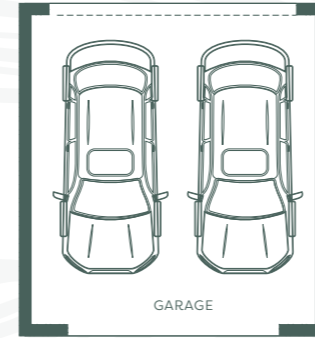
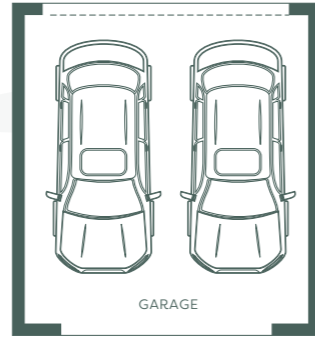
The communal heart of this inspiring address is the wonderful Hillstowe Central Park – a beautifully landscaped garden oasis for the community to come together and chat, play, stroll, walk the dog or simply enjoy the fresh air and sunshine.

Surrounded by both public and private education options, and located an easy stroll to Officer train station and a short drive from the Princes Hwy, residents are spoilt for choice with connectivity to their daily needs.





OAKLAND CORNER



OAKLAND CORNER



TYPE H / 19 SQUARES
LOT 508

3 2.5 2

TYPE H / 19 SQUARES
LOT 501

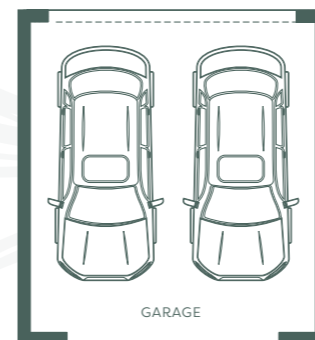
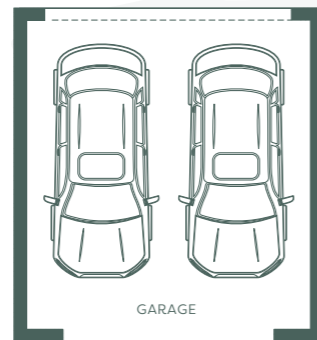
4 2.5 2

These plans and information are indicative only and may vary without notice. Furniture or vehicles are not included in the sale of these lots. The images depicted here are indicative only. Facade finishes and colours may vary.

These plans and information are indicative only and may vary without notice. Furniture or vehicles are not included in the sale of these lots. The images depicted here are indicative only. Facade finishes and colours may vary.



OAKLAND

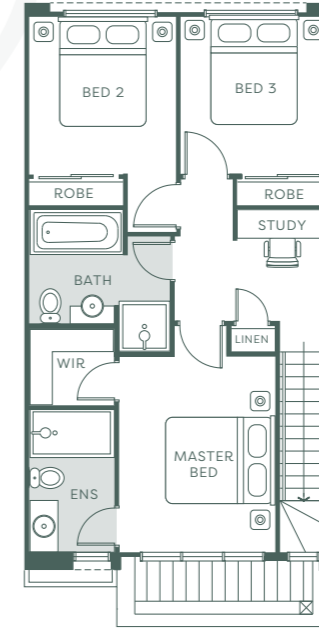
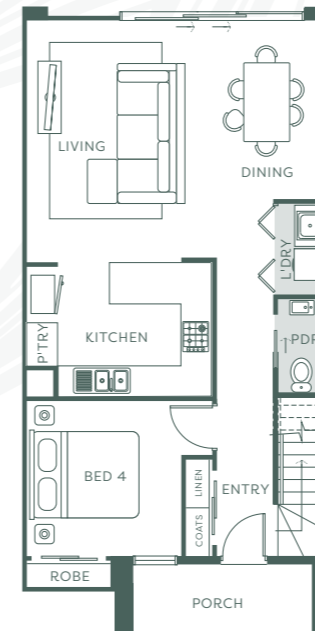
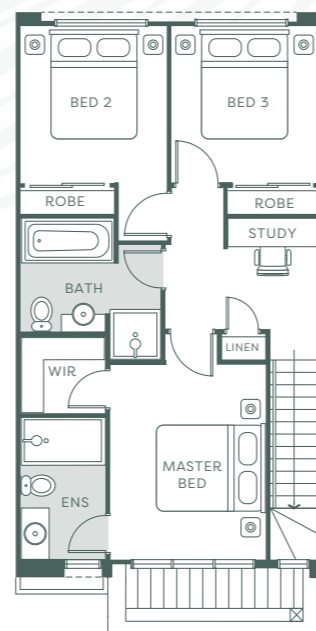
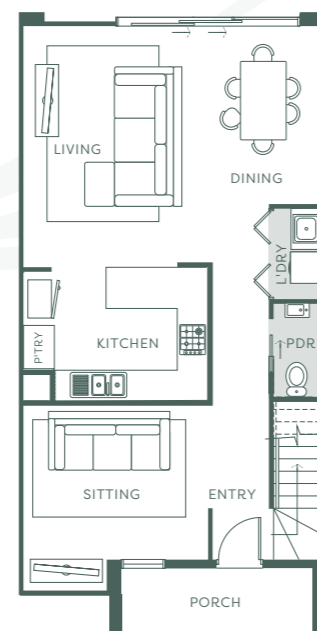


OAKLAND



TYPE F / 19 SQUARES
LOT 507

3 2.5 2



TYPE F / 19 SQUARES
LOT 502

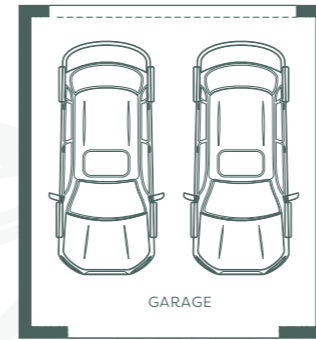
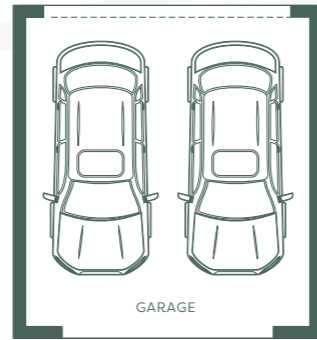
4 2.5 2

These plans and information are indicative only and may vary without notice. Furniture or vehicles are not included in the sale of these lots. The images depicted here are indicative only. Facade finishes and colours may vary.

These plans and information are indicative only and may vary without notice. Furniture or vehicles are not included in the sale of these lots. The images depicted here are indicative only. Facade finishes and colours may vary.



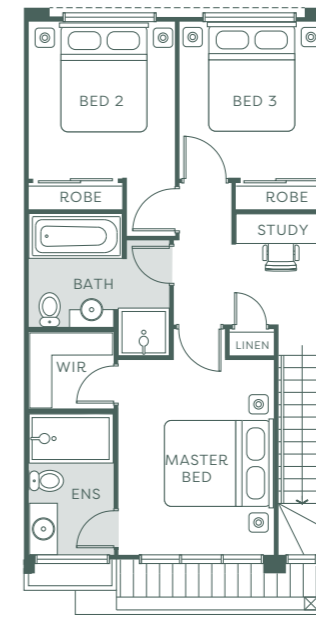
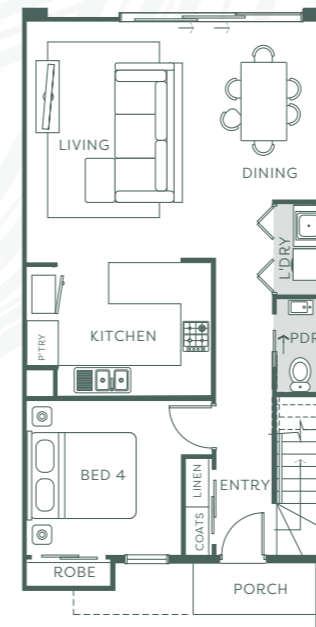
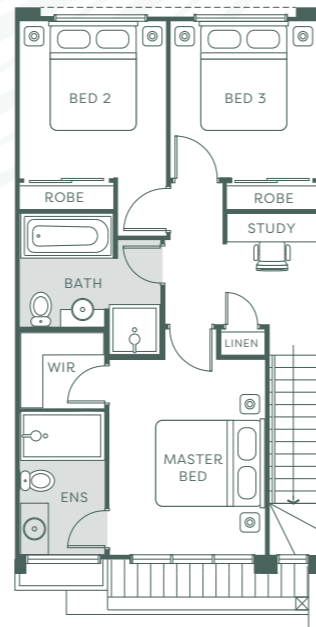
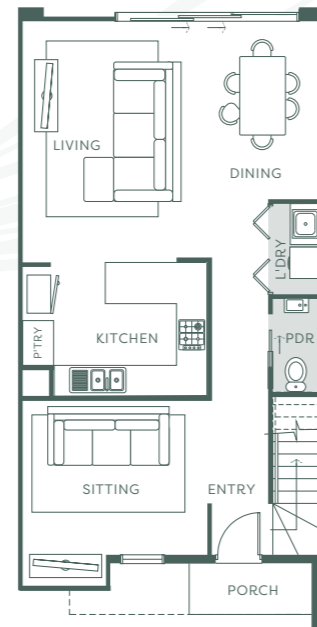
OAKLAND



OAKLAND



TYPE D / 19 SQUARES
LOT 506



TYPE D / 19 SQUARES
LOT 506



These plans and information are indicative only and may vary without notice. Furniture or vehicles are not included in the sale of these lots. The images depicted here are indicative only. Facade finishes and colours may vary.

These plans and information are indicative only and may vary without notice. Furniture or vehicles are not included in the sale of these lots. The images depicted here are indicative only. Facade finishes and colours may vary.



REGENT



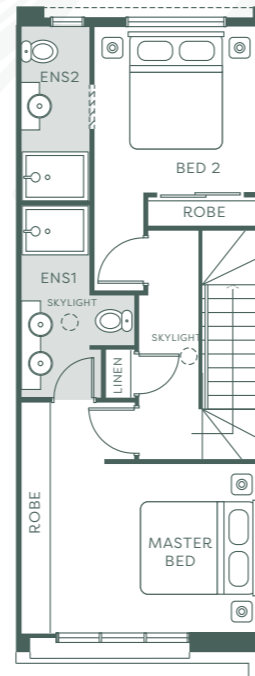
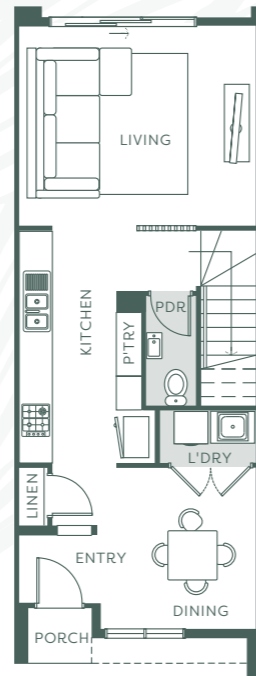
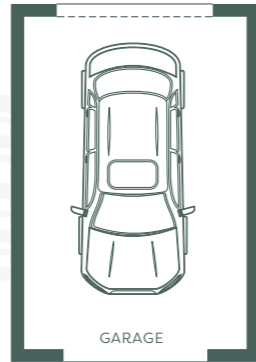
TYPE D / 14 SQUARES
LOT 505 & 503

2 2.5 1



TYPE F / 14 SQUARES
LOT 504

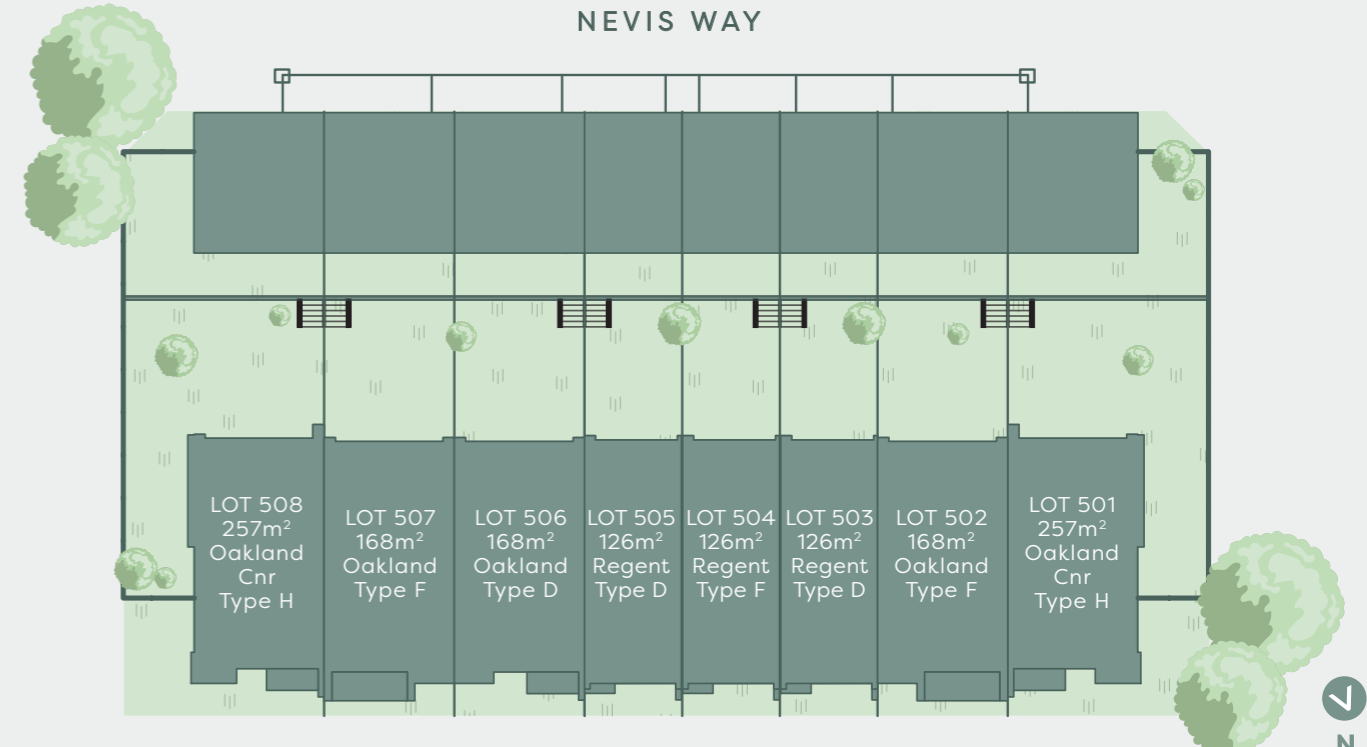
2 2.5 1



SITE PLAN

HILLSTOWE CENTRAL PARK

NEVIS WAY



APPLEBUSH WALK

Retaining Wall

These plans and information are indicative only and may vary without notice. Furniture or vehicles are not included in the sale of these lots. The images depicted here are indicative only. Facade finishes and colours may vary.

Images, measurements and other information are for general illustration purposes only and not to scale. Lot size dimensions, easements, landscape treatments, final road layout, public utility and service infrastructure locations and zoning are subject to change and are conditional on authority approval. CDB-U-50036



SMART TURNKEY INCLUSIONS



All images and drawings are for illustrative purposes.

INTERNAL FEATURES

Ceiling Height: 2590mm ceiling height (nominal) to single storey with 75mm cove cornice. 2590mm ceiling height (nominal) to ground floor of double storey homes, 2440mm ceiling height (nominal) to first floor, 75mm cove cornice throughout.

Room Doors: Flush panel Honeycomb Core 2040mm high to single storey, 2040mm high to ground floor and first floor of double storey.

Room Door Furniture: Passage set. Provide Alba Chrome levers through Chrome finish.

Mouldings: Skirtings – 67x18mm square edge primed MDF. Architraves – 67x18mm square edge primed MDF.

Plaster: Ceiling Plaster. 10mm plasterboard finish.

Wall Plaster: Plasterboard 10mm thick. Water resistant plasterboard to Ensuite, Bathroom and above Laundry trough.

PAINT

Internal and External: Two coats.

Woodwork and Skirting: Two coats.

HEATING

Panel heating unit installed to living areas and bedrooms (excludes wet areas and areas with split systems) as per manufacturers/ suppliers recommendations for home size.

HOT WATER SYSTEM

Hot water unit in accordance with estate design guidelines.

KITCHEN

Fisher & Paykel oven 600mm.

Fisher & Paykel cooktop 600mm 4 burner stainless steel gas cooktop.

Fisher & Paykel rangehood 600mm stainless steel.

Fisher & Paykel dishwasher 600mm.

Sink: Stainless steel double bowl sink.

Tap: Mixer gooseneck in chrome finish.

Bench Top: Engineered stone benchtop 20mm. Choose colour from SOHO Living colour scheme.

Splashback: Mirror. Choose colour from SOHO Living colour scheme.

BATHROOM, ENSUITE, POWDER ROOM & WC

Mirror: Polished edges to full width of vanities sitting on 200mm tile splashback.

Basin: Ceramic above mount 440mm round, 120mm high, no tap hole low profile square inset basin (white), chrome waste 1 tap hole/ overflow.

Vanity Unit: Floating vanity unit on tiled pedestal.

Bench Top: Engineered stone benchtop 20mm. Choose colour from SOHO Living colour scheme.

Bath: 1525/1675mm acrylic bath (white) in tiled podium. (Design Specific)

Shower Bases: Ceramic tiled shower base. Selection from SOHO Living colour scheme range with Stainless Steel Centre Waste.

Shower Screens: 1950mm high semi frameless with pivot door and clear laminated glass.

Taps and Outlets: Ensuite – Shower hand shower on rail.

Bathroom Shower – Shower hand shower on rail.
Bath (Wall Mounted) – Straight wall bath outlet and wall mixer.

Basin (Wall Mounted) – Wall mixer.

Accessories: Toilet roll holders chrome, double towel rails and soap dish holders to showers.

Toilet Suite: China toilet suite in white with soft close seat.

LAUNDRY

Trough: 45 litre single inset bowl stainless steel without top bypass.

Base Cupboard: 800mm wide fully lined modular cabinet, refer to working drawings.

Bench Top: Laminate with square edge.

Tapware: Sink mixer in chrome finish.

ELECTRICAL

Internal Light Points: Recessed LED downlight in white non-metallic polyamide housing with diffuser.

External Light Points: (2 No) flood light wall mounted light fitting.

Power Points: White surround, double power points throughout excluding dishwasher, microwave and refrigerator provision.

Smoke Detector: Hardwired with battery backup.

Exhaust Fans: Above all showers not opening to outside air, 250mm with self-sealing air flow draft stoppers.

TV Points: To Family and Master Bedroom.

Telephone Point: To Kitchen and Master Bedroom.

Safety Switch: Residual Current Devices safety switch and circuit breakers to meter box.

PLUMBING

(2 No) garden taps, one located to the front water meter and one adjacent the external Laundry door.

TILING

Ceramic Floor Tiles: Selected from SOHO Living colour scheme 400x400mm to Laundry, Ensuite, Bathroom, WC, Internal Courtyard and Powder room.

Ceramic Wall Tiles: Selected from SOHO Living colour scheme 400x400mm to Laundry, Ensuite, Bathroom, WC, Powder room, shower recesses and above bath.

FLOOR COVERINGS

Carpet: Selected from SOHO Living colour scheme to Bedrooms, WIR, Activity and Staircase.

Timber Laminate: Selected from SOHO Living colour scheme timber look laminate flooring to Entry, Kitchen, WIP, Meals, Family, Living, Rear Hallway, Lounge and Study.

STORAGE

Shelving: Robes - One white melamine shelf and hanging rail.

Walk in Robe - One white melamine shelf and hanging rail.

Pantry/Linen - Four white melamine shelves.

Broom - One white melamine shelf.

Robe Doors: Single Storey - 2040mm high flush panel hinged doors.

STAIRS (DOUBLE STOREY HOMES)

Plaster dwarf walls to stairs and void areas with painted timber handrail (refer to staircase layout).

CAR ACCOMMODATION

Garage Door: Colorbond sectional door in flat line profile.

Remote Control: Remote control unit to front garage door with 2 handsets.

OUTDOOR

Landscaping: Garden and plants to the front and rear. Instant turf to rear yard. Or as per landscape design on drawings.

Fencing: 1800mm high timber paling/ Colorbond including wing fence and gate to suit estate design covenants.

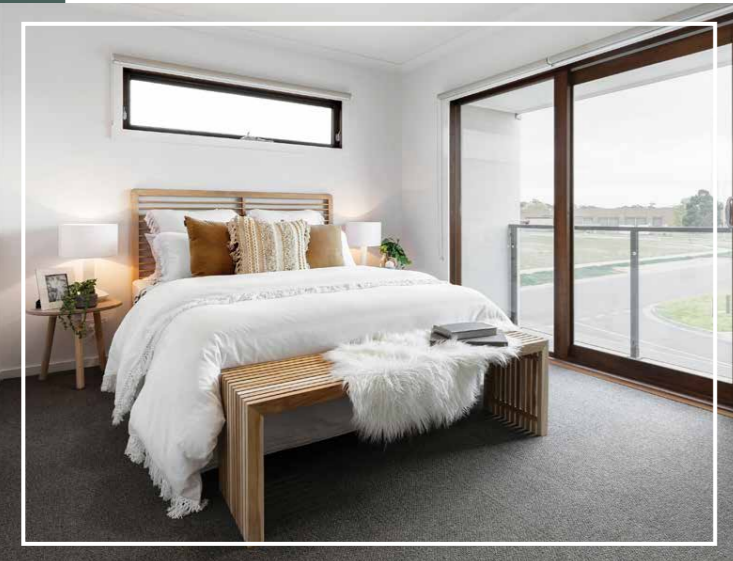
Paving: Coloured concrete to driveway and front path.

Letterbox: Pre cast concrete letterbox with colour to match house.

Clothesline: Fold out clothesline in rear yard.



All images and drawings are for illustrative purposes.





MASTER PLAN



SOHO

LIVING

hillstowe

by AVID Property Group

Available by Virtual or Phone Appointments
7 Days, 10am – 5pm

P: 1300 159 139

E: hillstowe@avid.com.au

hillstoweliving.com.au

This document has been produced for information purposes only and has been produced in good faith and with due care, but is intended to be a visual aid only and does not necessarily depict the finished state of the object or thing shown. Furniture is not included with the property, we do not warrant the accuracy of the information contained in this document. Dimensions and specifications are subject to change without notice. We accept no responsibility for any loss, damage, cost or expense (whether direct or indirect) incurred by any person (including purchasers) as a result of any error, omission or misrepresentation of information in this document. This document does not constitute all or part of an offer or a contract of sale for any property referred to.